



## ROOF EXTRACTOR

### ROOF EXTRACTOR

The Roof Extractor is a motor driven fan unit having cast aluminum alloy impeller, aero foil section blades and is provided with durable weather proof exhaust cowl.

This is ideal for extraction or air supply through the roof, usually preferable in factories, power plant, Steel plant and foundries.



### DISCERNIBLE FEATURES

Fan Size: 500 to 1200 mm  
 Flow rates up to 100000 cmh  
 Pressures up to 600 Pa

### APPLICATION

Finds application in extraction of air supply through roofs/ridges in industrial buildings, factories, power plants, steel plants, foundries, etc.

(Fig: Adjacent figure shows the exploded view of the site installation of a roof extractor fan on a slanted roof. THE CURB IS NOT IN HUMIDIN'S SCOPE).

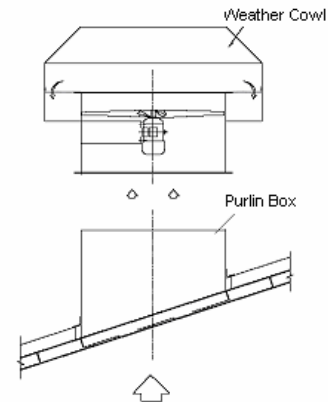


Fig.: Exploded View

### ROOF EXTRACTOR

ACRE	A	B	ØC	ØD	E	F
50	160	6	750	500	540	350
60	160	6	900	600	640	430
70	200	6	1050	700	746	440
80	210	6	1200	800	846	560
90	210	6	1350	900	950	575
100	225	6	1500	1000	1046	590
120	290	6	1800	1200	1265	680
140	300	8	2100	1400	1410	760
160	325	8	2400	1600	1525	800

