

HUMIDIN



KITCHEN SCRUBBER



MEMBER

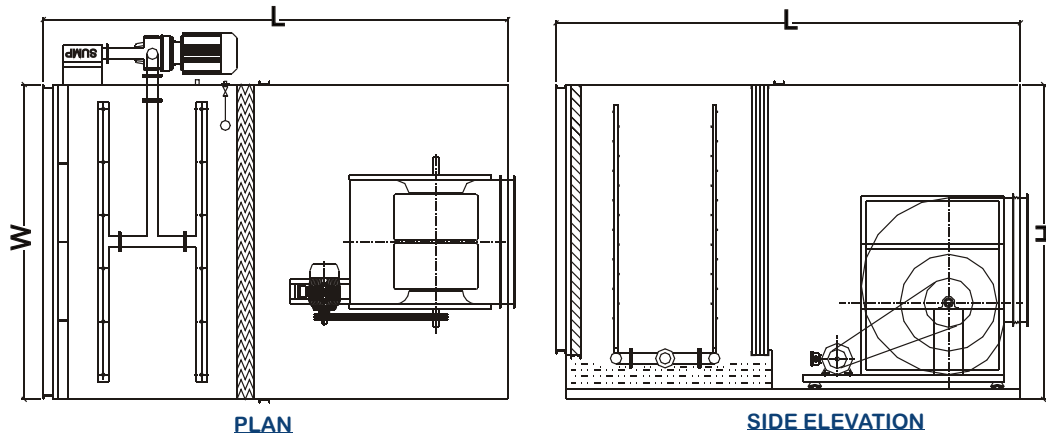
www.humidin.com

Kitchen Scrubber is an air washer with refinement device which is used for cleaning kitchen fumes. The kitchen fumes are drawn from the kitchen hood through duct and enter the scrubber and flow horizontally. Considering the other scrubber designs, Humidin scrubbers have very low pressure drop and has maximum scrubbing efficiency.

Humidin manufactures the wet type kitchen scrubbers, which are available in single skin metallic housing, accommodating aluminum/GI pre metallic filter, intake louvers, double bank GI spray headers with brass/PVC spray nozzles and PVC water eliminator. The unit is further complimented by SISW/DIDW centrifugal fan (fan section) to draw fumes through the scrubber and letting out relatively clean air. The water is re circulated by a pump through sump strainer. The scrubber internals can also be fixed in the masonry housings along with centrifugal/axial fans.

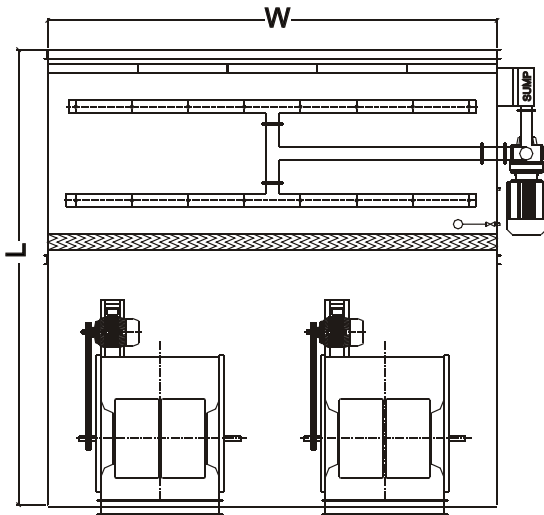


KITCHEN SCRUBBER

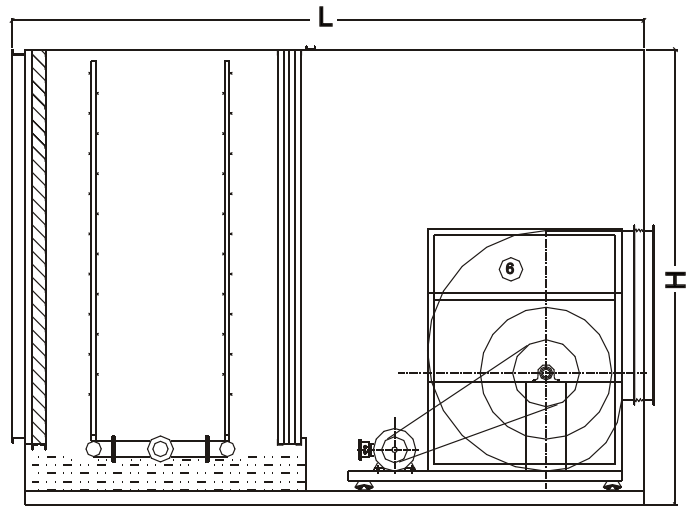


TECHNICAL DETAILS OF SPRAY TYPE SCRUBBER WITH SINGLE BLOWER

S.NO.	CAPACITY C.F.M.	DIMENSION			FAN SIZE	ST. PRESSURE		RPM- BHP/HP		PUMP RATING
		L	W	H		25 MM	40 MM	50 MM	65 MM	
1.	3000	3300	850	1260	315	805	1039	1177	1356	1 HP/2P
						1.04 / 1.5	1.63 / 2	2.08 / 3	2.79 / 3	
2	4000	3500	1000	1350	355	689	886	1017	1209	1.5 HP/1.5P
						1.23 / 1.5	1.89 / 2	2.44 / 3	3.5 / 5	
3	5000	3500	935	1620	400	627	792	905	1059	1.5 HP/1.5P
						1.53 / 2.00	2.29 / 3.0	2.93 / 5.0	4.02 / 5.0	
4	6000	3550	1100	1620	450	550	696	792	917	2 HP/2P
						1.75 / 2	2.65 / 3	3.39 / 5	4.52 / 5	
5	7000	3550	1150	1620	450	561	692	775	899	2 HP/2P
						2.24 / 3	3.16 / 5	3.87 / 5	5.11 / 7.5	
6	8000	3800	1200	1930	500	527	654	731	844	2 HP/2P
						2.45 / 3	3.58 / 5	4.41 / 5	5.90 / 7.5	
7	10000	3835	1300	1830	560	462	573	645	747	3 HP/2P
						2.91 / 5.0	4.24 / 7.5	5.31 / 7.5	7.12 / 10	
8	11000	3835	1400	1930	560	469	575	641	739	3 HP/2P
						3.39 / 5	4.79 / 7.5	5.81 / 7.5	7.65 / 10	
9	12000	3835	1550	1930	630	416	516	577	670	3 HP/2P
						3.57 / 5	5.30 / 7.5	6.53 / 7.5	8.80 / 10	
10	14000	3835	1800	1930	630	420	518	576	660	3 HP/2P
						4.04 / 5	5.85 / 7.5	7.14 / 10	9.24 / 10	
11	15000	4100	1650	2200	710	365	456	512	601	3 HP/2P
						4.24 / 7.5	6.21 / 7.5	7.81 / 10	10.61 / 12.5	
12	18000	4100	1950	2200	710	378	459	510	581	5 HP/2P
						5.82 / 7.5	7.94 / 10	9.51 / 12.5	12.08 / 15	
13	20000	4200	2200	2200	800	316	394	441	509	5 HP/2P
						6.06 / 7.5	8.81 / 10	10.85 / 15	14.16 / 20	
14	22000	4200	2400	2200	800	321	398	441	504	5 HP/2P
						7.14 / 10	10.12 / 12.5	12.06 / 15	15.48 / 20	
15	25000	4400	2300	2525	900	283	353	396	458	5 HP/2P
						7.66 / 10	10.99 / 12.5	13.87 / 20	18.51 / 25	
16	27000	4400	2500	2500	900	287	353	395	454	5 HP/2P
						8.68 / 10	12.16 / 15	14.80 / 20	19.70 / 25	
17	30000	4700	2400	2800	1000	254	318	359	423	5 HP/2P
						8.64 / 10	13.02 / 15	16.65 / 20	23.30 / 30	
18	35000	4700	2800	2800	1000	260	318	355	408	5 HP/2P
						11.07 / 15	15.55 / 20	18.99 / 25	25.06 / 30	
19	40000	4700	3200	2800	1000	268	324	357	404	7.5 HP/2P
						14.14 / 20	18.97 / 20	22.41 / 25	28.21 / 30	



PLAN



SIDE ELEVATION

TECHNICAL DETAILS OF SPRAY TYPE SCRUBBER WITH DOUBLE BLOWER

S. NO.	CAPACITY C.F.M.	DIMENSION			FAN SIZE/QTY.	STATIC PRESSURE				RPM- BHP / HP	PUMP MODEL
		L	W	H		25 MM	40 MM	50 MM	65 MM		
1.	45000	4200	4200	2500	800/2	321	399	441	503	7.5 HP	
						7.38 / 10	10.46 / 12.5	12.41 / 15	15.86 / 20		
2.	50000	4400	4650	2500	900/2	283	353	396	458	7.5 HP	
						7.14 / 10	10.12 / 12.5	12.06 / 15	15.48 / 20		
3.	55000	4400	5100	2500	900/2	288	353	395	453	10 HP	
						8.95 / 10	12.49 / 15	15.08 / 20	20.0 / 25		
4.	60000	4700	4800	2800	1000/2	254	318	359	423	10 HP	
						8.64 / 10	13.02 / 15	16.65 / 20	23.30 / 30		

The intention of this brochure is to introduce you to, and acquaint you with the capabilities of the HUMIDIN organization in the offered product areas. It will not answer all your immediate questions, and indeed, it will no doubt raise others. We welcome your interest in our products and shall be very pleased to provide further information.

GUARANTEE

HUMIDIN guarantees its products to be free of defects in materials and workmanship for a period of one year from the date of delivery from the factory, provided motors are properly installed with overload protector. Humidin agrees to repair or replace defective parts or part to be returned to the factory, all transportation charges prepaid. Humidin does not guarantee against abrasion, corrosion or erosion. Humidin shall not be held responsible for any charges in connection with the removal or replacement of alleged defective equipment nor for incidental consequential damages.

In accordance with our policy of continual improvement in design, we reserve the right to depart from the details given in this brochure.

A.C. HUMIDIN AIR SYSTEMS

PLOT NO: B-6, SECTOR: A-3 UPSIDC, TRONICA CITY, LONI- 201102 U.P. INDIA

PH. 0120-2696683, 2696684 FAX 0091-120-2696677

Email: info@humidin.com